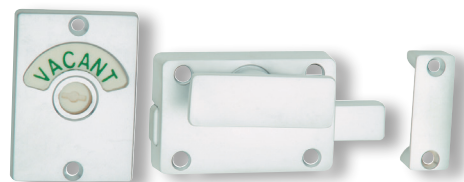




# Indicator Bolts

General hardware



Easy to install and operate, Legge surface mounted indicator bolts are primarily used on bathroom and toilet doors to indicate whether the room is occupied or vacant. Available as a surface mounted bolt without the external indicating component.

## Features

- Supplied with screws
- Suitable for timber and metal doors
- Clear indication of availability of room
- External release slotted button permits access under emergency conditions
- The 10 year warranty provides specifiers and users with assured quality and performance

# Specification guide

Model	Finish
Indicator bolt .....DAX1461	Satin chrome plate..... SCP
Surface mounted bolt..... DAX1463	

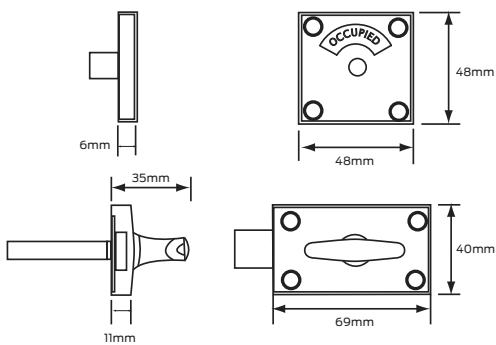
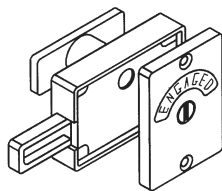
1. Model  
Select the desired model e.g. Indicator bolt ..... DAX1461
2. Finish  
Select the desired finish e.g. Satin chrome plate ..... DAX1461SCP

### Specifications

Door type	Timber or metal
Material	Zinc die cast
Finish	Satin chrome plate
Warranty	10 year mechanical

## 1461 Indicator bolt

Supplied with screws  
**Finish:** Satin chrome plate



## 1463 Surface mounted bolt

Non indicating  
 Supplied with screws  
**Finish:** Satin chrome plate

